

BROADBAND PROPAGATION

Antenna Design & Supply

1-3 Adelaide Rd. Echunga
PO Box 529 Echunga
South Australia. 5153

Phone: (08) 8388 8132
Fax: (08) 8388 8536
Intl.Phone: (618) 8388 8132
Intl.Fax: (618) 8388 8536

ABN: 84 232 273 647

E-mail: sales@broadbandpropagation.com
Web: www.broadbandpropagation.com

MP-136-174-BF VHF Manpack Antenna

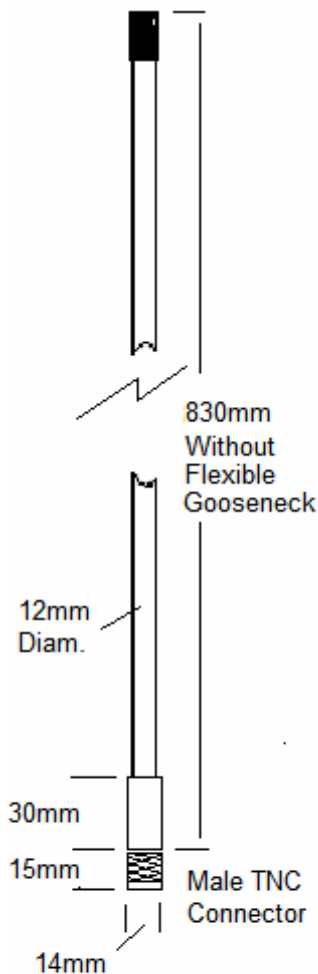
The MPB-136-174 BF VHF Manpack Antenna covers the frequency Range from 136 MHz to 174 MHz. No external tuning or adjustment is required for a 50 Ohm impedance match across this bandwidth.

The antenna is designed for use with modern, military man-pack radios. It is both light-weight and extremely robust in its design and highly suitable for the most demanding of tactical applications, across the full range of environmental conditions. It can be supplied with an optional flexible gooseneck.

*** Broad-Band Frequency Range ***

*** No Tuning or Adjustment Required ***

*** Light and Rugged Construction ***



If flexible Gooseneck is included add 150mm at base of antenna
Overall length is increased to 995mm

Specifications

Frequency range:	136 to 174 MHz
Input Impedance:	50 Ohms
Power Rating:	40 watts CW
VSWR:	2.0:1 Maximum.
Gain:	0 dBi
Polarisation:	Vertical
Radiation pattern:	Omni Directional
Input Connector:	TNC Male
Colour:	Matt Black overall
Diameter:	12.5 mm
Length:	830mm Overall, Operating Length
Length, Folded:	415mm
Weight:	0.15 kg
Operating Temp.	-40°C to +70°C

(Whip can be supplied with other antenna to base attachment formats or threads, and other base styles)



Optional Flexible Gooseneck