

BROADBAND PROPAGATION

Antenna Design & Supply

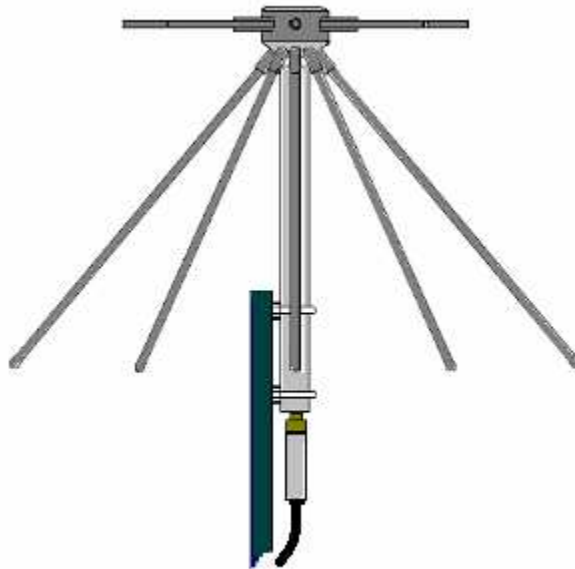
1-3 Adelaide Rd. Echunga
PO Box 529 Echunga
South Australia. 5153

Phone: (08) 8388 8132
Fax: (08) 8388 8536
Intl.Phone: (618) 8388 8132
Intl.Fax: (618) 8388 8536

ABN: 84 232 273 647

E-mail: sales@broadbandpropagation.com
Web: www.broadbandpropagation.com

VHF/ UHF DISCONE ANTENNA Model: BPV-LB-100-400



Designed for a variety of base station and tactical applications, the BPV-LB 100-400 is a compact vertically polarised broadband antenna which operates in the frequency range of 100-400 MHz with power handling of 500 watts CW. Mechanical construction of the antenna enables it to withstand the most rugged environmental conditions, with full protection against high wind loads, aggressive salt spray conditions, extreme temperature variation, and wind-borne sand abrasion.

The antenna is pole mounted and can be provided with a range of mounting hardware to suit customer requirements.
Full connector protection can be provided via a gland-entry weather shroud for marine/ salt spray environments (optional)

** Lightning and static discharge protection is provided*

Specifications

Frequency:	100-400 MHz
Gain:	2 dBi typical
VSWR:	Maximum 2:1 across band
Horizontal Pattern:	Omnidirectional
Polarisation:	Vertical
Power Rating :	500 watts average (CW continuous)
Input Impedance:	50 ohms
Input connection:	N type Female
Overall length:	0.8m
Overall Width:	1.3m (ground-plane diameter)
Wind Rating	230 km/hr
Mounting:	Mounts to any circular spigot or tube 30 -50mm Diameter (Or to customer requirement)