



BROADBAND PROPAGATION

Antennas for communications, scientific research and data collection

VEHICLE

PRODUCT CATALOGUE

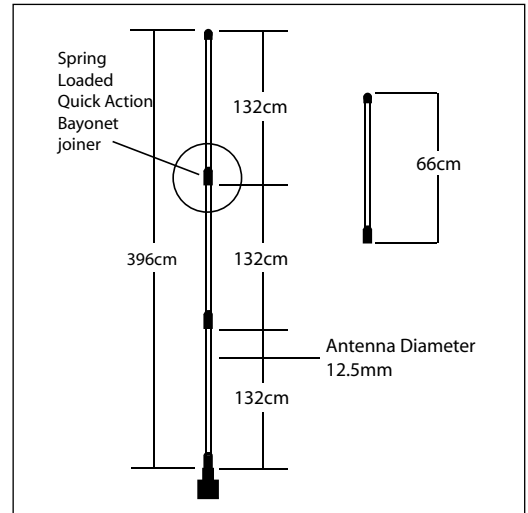
BPV-AL-160

Aluminium Four Section Whip

Fabricated from a unique Aluminium alloy tube with ultimate tensile strength of 96,000 psi and a breaking strength far superior to glass fibre composite or standard high tensile Aluminium. This antenna greatly exceeds impact survival tests for top range military vehicle whips supplied by other manufacturers. The antenna segments are joined by a stainless steel, bayonet style quick release system which is unique in vehicle whip design. Supplied in four bayonet joint segments, three at 1.32m and one at 0.66m enabling a total assembled length of 4.62m

SPECS

- Frequency range: 1.5 to 30 MHz
tuneable.
- Power Rating: 500 watts
- Color: Matt Black overall
- Mounting: Standard mount is via
1/2" Whitworth stud.
(Can be supplied with
other attachment
formats or threads)
- Diameter: 12.5mm
- Segment Lengths: Three at 1.32m and
one at 0.66m
- Overall height: 1.32m, 2.64, 3.96 or
4.62m from bottom of
whip.
- Impact Survival: Better than 400
impacts at the
midpoint of the
antenna at 40 kph.



BROADBAND PROPAGATION

1-3 Adelaide Rd
Echunga
South Australia

PO Box 529
Echunga
South Australia
5153

Ph: (08) 8388 8132
Fax: (08) 8388 8536